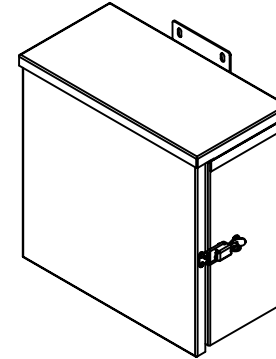


NOTES:

1. ENCLOSURE TYPE:
RAIN/SNOW/SLEET/DRIP PROOF, UL 50 TYPE 3R, CSA TYPE 3R,
IEC 60529 IP32, ANSI/ASA 61 GRAY POWDER COATED, 16 GAUGE
GALVANIZED STEEL ENCLOSURE. HINGED COVER WITH WITH
PADLOCKABLE DRAW PULL CATCH.

2. WEIGHT: 21.5 LBS (9.75 Kg)

REVISIONS			
REV	DESCRIPTION	DATE	APPROVED
A	RELEASE TO PRODUCTION	25AUG05	BCS

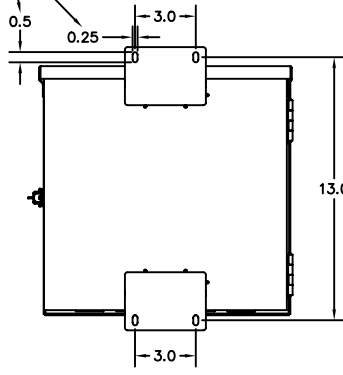


ISOMETRIC VIEW

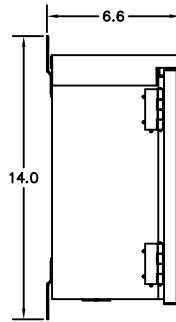


TOP VIEW

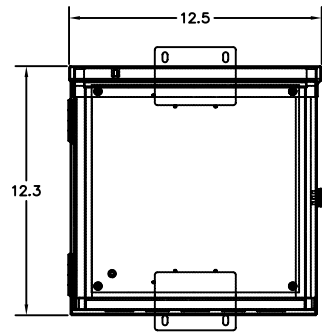
(TYP. 4 PLACES)



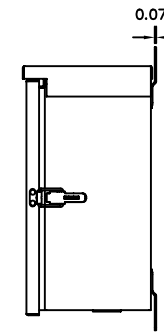
BACK VIEW



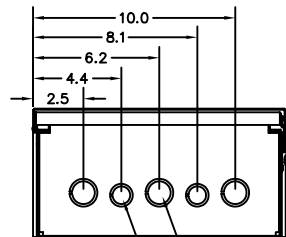
LEFT SIDE VIEW



FRONT VIEW



RIGHT SIDE VIEW



BOTTOM VIEW

3X DIA. 1.12 x 1.375
DOUBLE KNOCK OUT TYPICAL
2X DIA. 0.88 x 1.12
DOUBLE KNOCK OUT TYPICAL

QTY	REV	U of M	PART NUMBER OR IDENTIFYING NUMBER	CAGE CODE	DESCRIPTION
PARTS LIST					
MATERIAL	UNLESS OTHERWISE SPECIFIED ALL DIMENSIONS ARE IN INCHES AND INCLUDE APPLIED FINISH		INTERPRET DRAWING PER ANSI Y14.5M-1994		 BRADSHAW COMMUNICATION SYSTEMS COLUMBUS, OHIO
FINISH	TOLERANCES		DRAWN BY BCS		
	1 PLACE DECIMALS ±0.1		APPD ENG BCS		
	2 PLACE DECIMALS ±0.02		APPD MFG		
3 PLACE DECIMALS ±0.005		CHECKED		OUTLINE MOUNTING, HCU1	
ANGLES ±		APPD			
HOLE DIAMETERS PER ANSI/ASME B8.2-1983 (HOLE REPEATING NOT-SUMMATIVE)		NEXT ASSY: HCU1		SIZE: D CAGE CODE: BCS DRAWING NO.: OMD-HCU1 DWG NO: OMDHCU1 SCALE: 1=1 SHEET 1 of 1	

PARENTHESES INFORMATION FOR REFERENCE ONLY.